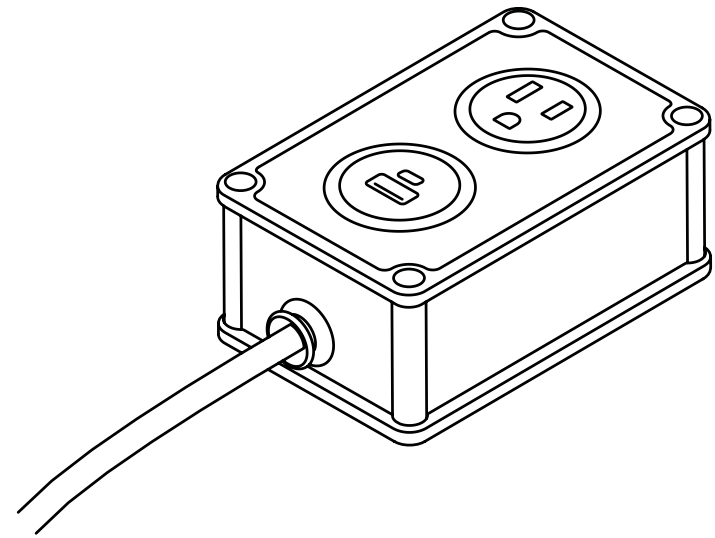


# Cast Aluminum Power Unit

Guidebook



charg<sup>™</sup>

V0621 P 800.999.3567

320 Byrne Industrial Drive, Rockford, MI 49341

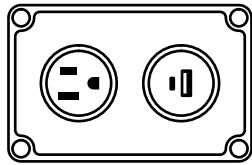
IS07761 ©2021 Byrne Electrical Specialists, Inc. All Rights Reserved

charg<sup>™</sup>

# CONGRATULATIONS!

You're one step closer to staying powered up and plugged in with your new Cast Aluminum Power Unit. Here are a few things to know about your new unit.

## Product Overview



Cast Aluminum Power Unit  
(USB-A+C — 20W shared)

## CARE AND CLEANING

To clean, wipe with a damp cloth. If necessary, a mild detergent may be applied to cloth.

## WARNINGS

NOT FOR OUTDOOR USE  
DO NOT DISASSEMBLE  
DO NOT PENETRATE UNITS WITH FOREIGN OBJECTS  
AVOID STRONG IMPACTS  
DO NOT CRUSH  
DO NOT SUBMERGE  
DO NOT SPRAY UNIT DIRECTLY WITH ANY LIQUID  
DO NOT INCINERATE  
DO NOT MICROWAVE UNIT, PLACE IN HIGH PRESSURE  
CONTAINERS OR INDUCTION HEATING DEVICES  
KEEP AWAY FROM PETS AND CHILDREN  
**Failure to comply may cause electrical  
and/or fire hazards resulting in serious injury.**

## WARRANTY

We, the manufacturer, warrant Charg products to be free from defects in material and workmanship under normal use and service for a period of one (1) year from the date of manufacture. We will refund the price of the defective product within the warranty period. If product is repaired or replaced it will be shipped F.O.B. manufacturer's facility. If we determine to refund the price of the product, we may require that the product be returned to us before the refund is given. This warranty shall be voided by any repair alteration, or modification by persons other than the employees of manufacturer, or those who are expressly authorized by manufacturer to make such repairs, and by any abuse, misuse or neglect of the product by use not in accordance with its published instructions. The remedies for any failure of the products to meet its warranty specified herein shall be those remedies stated herein and no other; these remedies being exclusive remedies as a condition of sale irrespective of the theory upon which any claim might be based, including negligence, breach of contract or strict liability. In addition, except as provided in this paragraph or to the extent restricted or prohibited by applicable law, the manufacturer makes no warranty expressed or implied, including any warranty of merchantability or fitness for any particular purpose, and you specifically agree that the manufacturer shall not be liable for any special, incidental, indirect, punitive or consequential damages for breach of any warranty of any type on any Charg product. In addition to and without limiting the generality of the foregoing disclaimers, the limited warranty does not, under any circumstances, cover the replacement or cost of any electronic device (including but not limited to any mobile phone devices) or personal property outside of the Charg product.

